

# Technical Bulletin

Bulletin Number: 319 Revision Number: R-02

Release Date: May 1, 1987 Revision Date: November 16, 1993

**SUBJECT:** LIGHTED SIDE PANELS FOR COKE LANDSCAPE

**MODELS:** DNCB Landscape Coke Venders.

**NOTE:** The Side Panel is shipped assembled and ready for installation.

Before proceeding with installation, read this bulletin carefully, especially: Installation on T-Model.

**LIGHTED SIDE PANEL PARTS CONSIST OF:**

Coke 440

1 - 432,010,70x.x3	Lighted Side Panel - Right or Left Side
1 - 900,901,80x.x1	1/2" Harness Clamp
24 - 900,301,50x.x1	#8-18 x 1/2" Self Drilling Screw

Coke 368

1 - 438,011,20x.x3	Lighted Side Panel Kit
--------------------	------------------------

**LIGHTED REAR PANEL PARTS CONSIST OF:**

Coke 440

1 - 432,010,70x.x3	Lighted Rear Panel
2 - 432,010,34x.x3	Retaining Angles
24 - 900,301,50x.x1	#8-18 x 1/2" Self Drilling Screw

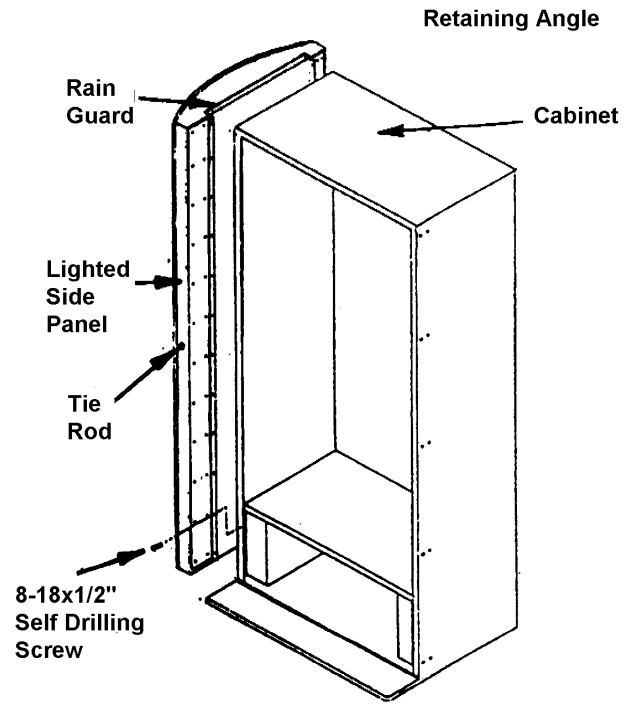
**NOT SUBMITTED TO REGULATORY AGENCIES FOR REVIEW AND APPROVAL.**

## **TO INSTALL SIDE PANELS:**

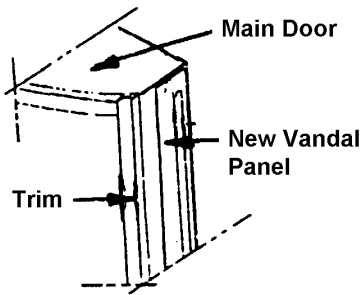
1. Installation of the side panel on the left side of the vender is shown. See figure 1.
2. Important: Wear safety glasses during kit installation.
3. On the side or sides to which the side panel is to be installed, remove vandal panel or panels. Use a sharp chisel to remove the rivets from the panel if secured by rivets.
4. Locate the Tie Rod in the side panel. See figure 1. The carriage head of the rod should be to the front of the vender. If it is not, remove the nut securing the rod and install the tie rod properly.
5. When installing the left side panel, secure the power cord at the bottom of the side panel with the 1/2" harness clamp provided.
6. Place side panel in position as shown in figure 1. The top of the side panel should be flush with the top of the cabinet. Push the side panel to the right and then towards the rear.
7. Let the flange of the retaining angle go tight against the cabinet flange. See figure 1.
8. Use the flange as a template and drill twelve (12) 9/64" holes in the cabinet's flange. Secure with #8-18 x 1/2" Self Drilling Screws provided. See figure 1. (Note: 24 screws are used to secure the side panel, 12 front and 12 rear.) Use the same procedure to secure the side panel at the rear.
9. INSTALLATION OF RIGHT HAND SIDE PANEL:  
  
Use the same procedure to install the side panel on the right side except:
  - A. Close and lock the main door.
  - B. Place the lighted side panel in position (before drilling holes) so that there is sufficient clearance between the door and side panel for the door to open and close.
10. There is a socket on the bottom underside of each lighted side panel. When mounting two panels -- run one panel's electrical lead to the other panel, so that only one lead will be needed at the receptacle.
11. Install the new vandal panel to the main door. See figure 2. Secure with the bolts and nuts removed from the original vandal panel. Only one row of bolts can be used.
12. T-Model:
  - A. Use the same procedure for T-Models.  
EXCEPT: Reverse the retaining angle before making installation at the rear. See figure 4.
13. To replace lamps, remove front and rear retaining angles from the side panel.

**TO INSTALL REAR PANEL:**

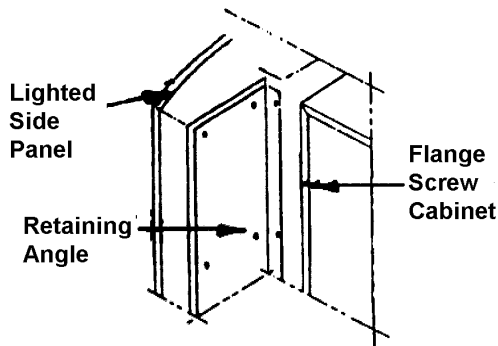
1. See figure 5.
2. Secure the Long Leg of the retaining angle to one side of the lighted panel, using existing screws. Secure the remaining retaining angle to the other side of the lighted panel, using the existing screws.
3. Secure the Short Leg of the retaining angle to the cabinet.
4. Once installed, the retaining angles space the lighted panel 3" away from the vender.
5. To replace the lamps, remove the retaining angles from the cabinet.



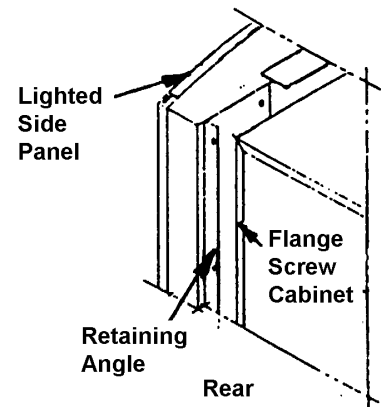
**Figure 1**



**Figure 2**



**Figure 3**



**Figure 4**



**Retaining Angle End View  
Figure 5**